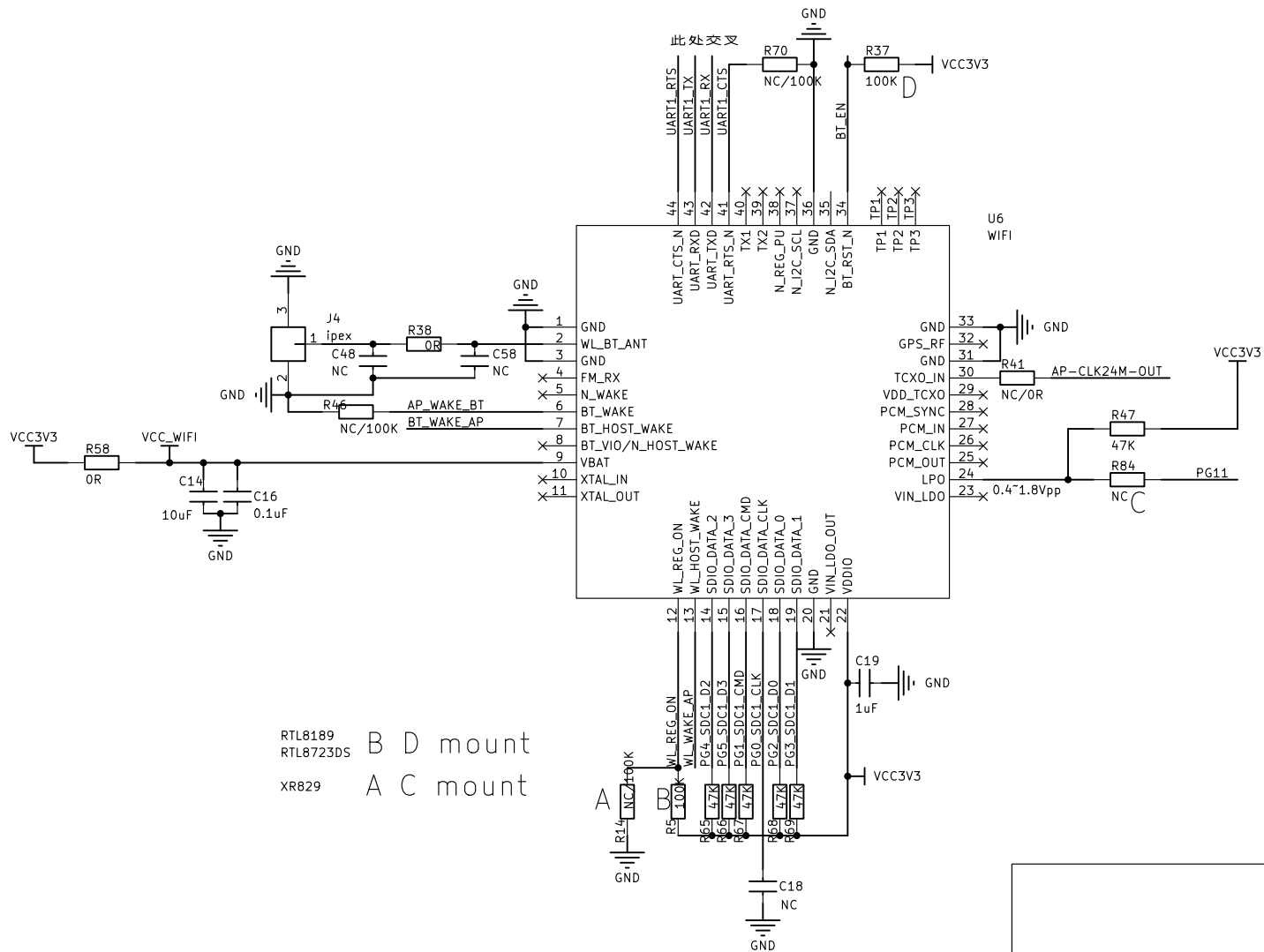


Sheet: /		
File: Periph.kicad_sch		
Title:		
Size: A3	Date: 20211125	Rev: V1.5
KiCad E.D.A. eschema (6.0.0-rc1-1-g4df25edb3d)		
Id: 3/1		



Sheet: /	
File: WIFI-BT.kicad_sch	
Title: RF	
Size: A4	Date: 20211125
KiCad E.D.A. eeschema (6.0.0-rc1-1-g4df25edb3d)	
Rev: V1.5	
Id: 1/1	