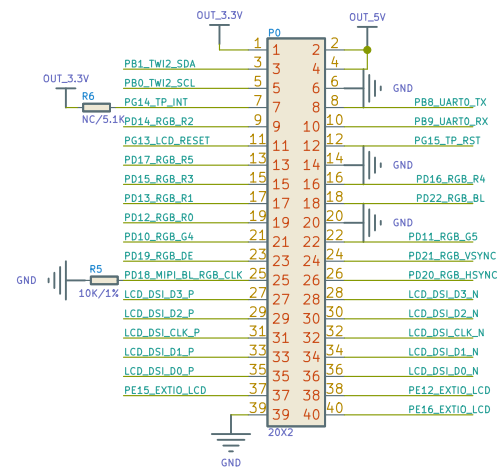
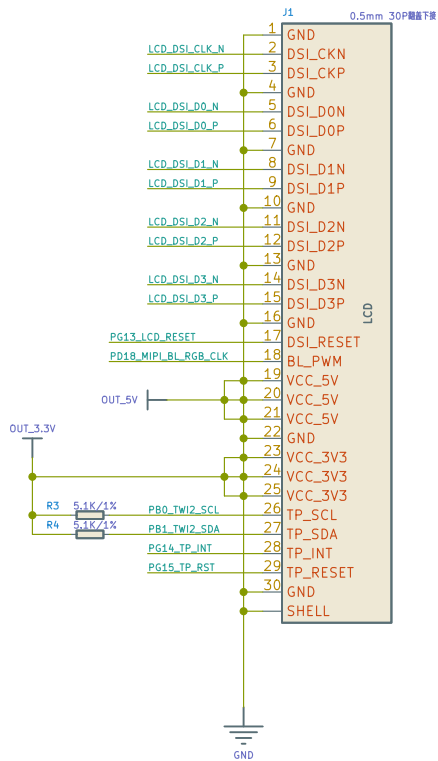


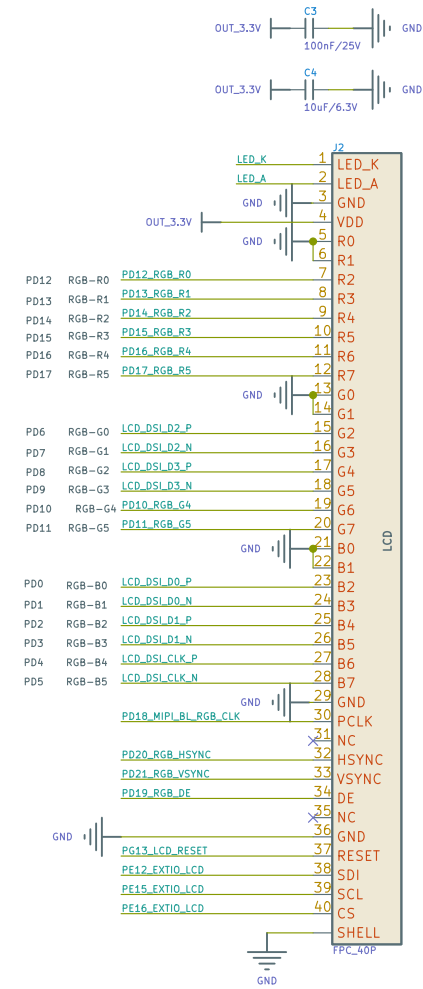
RGB BACKLIGHT POWER



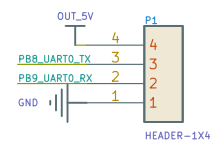
IO HEADER



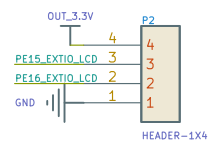
MIPI-DSI



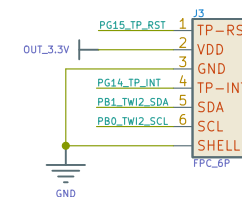
RGB LCD



DEBUG UART



4-PIN IO



CTP

